



ANGULAR POSITION TRANSMITTER APE360-APE361

OUR PRODUCTS

MEASURE

Flow
Level
Pressure
Temperature
Density
Displacement
Rotation
Energy
Voltage
Current

ANALYZERS

Measure and Control

PH

Redox
Conductivity
Chlorine
Turbidity
Opacity
Oxygen

AUTOMATIC VALVES

SLUICE GATE
GATE VALVES
Control and on-off Type

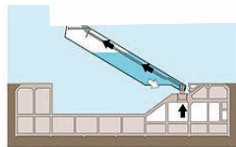
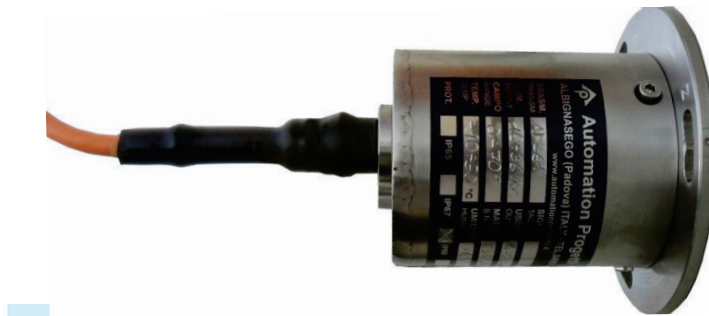
VALVE
CONTROLLER
Static (Triac)

AUTOMATIONS PLC-PCS

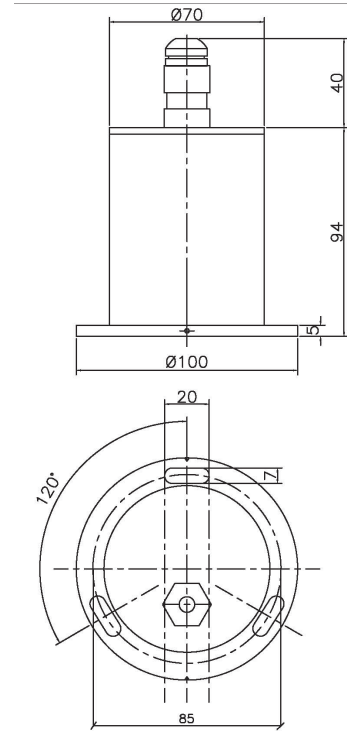
Data-logger
Controller
Control panel

SOFTWARE
ISI-S.C.A.D.A

COSTUMIZED
ENGINEERING
Instrumentation
control



INSTALLED ON
THE MOSE-VENICE
Italy



TECHNICAL DATA

Applications : Heavy on rotating movements without constraint
 Connection : Flanged
 Material : Aisi 316-L stainless steel
 Seals : With double Viton O-rings
 Measuring range : 0 ÷ 90 ° (time - others on request)
 Sensitivity : 0.2% of the measuring range
 Output : 4 ÷ 20 mA
 Accuracy : +/- 0.2% of the measurement range Measurement
 Stability : 0.15% year
 Working condition s: Temp. -10 ÷ 50 ° C - Humidity 100% - Press. -0.3 ÷ 5 bar
 Acc./Decc.10g - Freq.10Hz
 Power supply : 18 ÷ 30 Vdc
 Degree of protection : IP68-50m c.a.
 Connections : With outgoing cable (length to be defined)
 Dimensions : Typical h 120 mm; Ø 100 mm; Weight 2 Kg
 International Reliability Index: 10,000,000 revolutions or MTBF 60,000 hours
 Test time before delivery : BURN-IN 120 hours

Bull.	361
Last Agg.	July2012
Versione italiana	
English version	X